

# SHARP

PN-R903 / PN-R703 / PN-R603  
Professional LCD Monitor

Sharp understands you need to make it memorable  
**/This is Why** our new LCD monitors add stunning clarity  
for an unforgettable experience.



## BREATH-TAKING QUALITY MADE CLEAR WITH THE PN-R RANGE

Sharp's PN-R range offers professional image quality and incorporates Sharp's UV<sup>2</sup>A\* technology, which ensures highly efficient use of light from the backlight and prevents light leakage. The result: truly bright whites and extremely deep blacks. The PN-R903 panel boasts a full array LED backlight; in which LED elements are evenly positioned across the entire panel to give on-screen images remarkable uniform brightness. The complete PN-R LCD range offers 700 cd/m<sup>2</sup> brightness which ensures that your content is clear even in bright public spaces.

\*UV<sup>2</sup>A stands for Ultraviolet-induced Multi-domain Vertical Alignment, a photo-alignment technology that ensures uniform alignment of liquid crystal molecules.

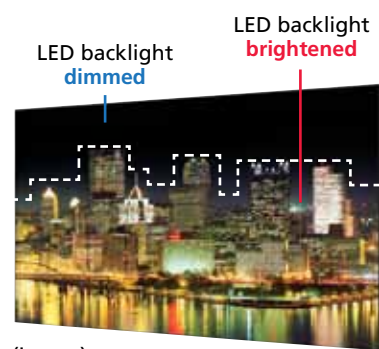
Sharp's PN-R903 boasts an ultra-large- 90 inch screen that towers seamlessly above other professional LCD monitors in size, quality and impact. With full HD resolution, brilliant image quality and streamlined profile, this premium professional LCD monitor was designed to lead the large format digital signage market.

### High Impact 90" Screen

Sharp's new pro-quality LCD monitor excels in a variety of indoor venues, including retail locations, educational institutes, conference rooms, and public spaces. Incorporating a single, seamless screen, this monitor makes an unforgettable impact on any audience.

### High Contrast and Superb Energy Efficiency

For its outstanding black levels, amazing contrast, and superb energy efficiency, this large-screen LCD monitor owes much to local dimming of its LED backlight. Local dimming allows specific groups of LEDs to be independently dimmed or brightened for greater control of the darkness and brightness in different areas of the monitor, resulting in considerably reduced power consumption. That's why this model can deliver significantly better contrast and brightness than conventional LCD monitors while using remarkably less power.



(image)

LOCAL DIMMING

## PN-R703 / PN-R603 OUTSTANDING BRIGHTNESS

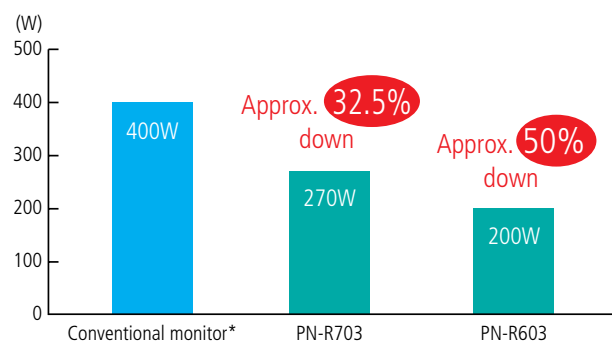
Amplly sized and attractively designed, Sharp's PN-R703/ R603 professional LCD monitors have the thin profile, high brightness, and low power consumption to accommodate a wide range of indoor digital signage applications.

### Thin, Lightweight Design

PN-R703/R603 monitors owe their exceptionally thin profiles to edge-lit LED backlighting, where LED elements are located at the edges of the panel. Streamlined for a pleasing appearance and minimal protruding parts, these monitors measure only 39.4 mm at their thickest point and weigh only 43/32 kg, making for easy placement in offices, public spaces, stores, and other commercial establishments. Stylishly thin profiles also enable attractive wall mounting in a choice of portrait or landscape mode.

### Energy Efficient

Edge-lit LED backlighting on PN-R703/R603 monitors helps ensure reliable performance with low power consumption. In fact, PN-R703/R603 monitors consume roughly 32.5/50% less energy than conventional CCFL-backlight displays.\* And the PN-R603 conforms to the ENERGY STAR® programme, an international system for identifying energy-efficient products.



\* PN-E601





### Outstanding Connectivity

PN-R903/R703/R603 monitors have a comprehensive range of on-board input/output connectors, including the DisplayPort interface.

### Built in Speakers

Built-in speakers eliminate the need for external speakers and keep monitors stylishly streamlined. The speakers emit sound from both sides of the monitor, making them ideal for conveying audio information and playing location-appropriate background music.

### 24/7 Operations

Built solid, the PN-R range are ideal for use in 24-hour stores and in other demanding professional applications that require around-the-clock operation seven days a week.

### Dual Screen Display

Picture-in-Picture (PIP) mode allows an AV-sourced image to be displayed within a PC-sourced one (or vice versa), while Picture-by-Picture (PbyP) mode puts images from AV and PC sources side by side for split-screen viewing.

### Choice of Installation Mode

The monitors offer a choice of landscape or portrait installation, allowing customers to select the mode that best suits their display content and application. While portrait installation offers the look and impact of a poster, landscape installation puts wide images on vivid display.

### Enlarge Display Mode

Multiple monitors can be grouped together to display one enlarged image, thanks to Enlarge (Zoom) Display mode, which corrects the framing of that image to eliminate misalignment between monitors.

### Mirror Display Mode (Daisy Chain)\*

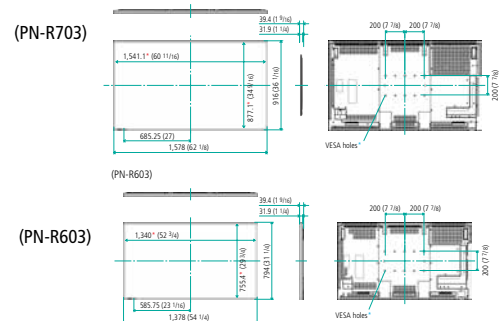
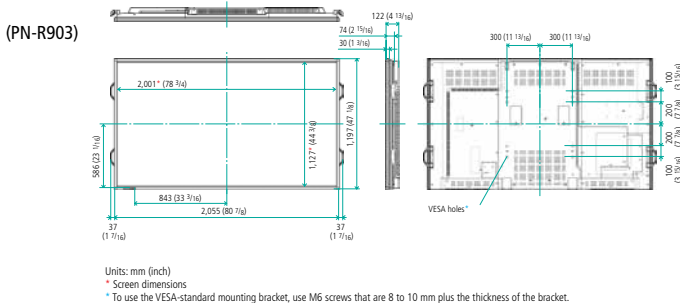
With Mirror Display mode, the same image can be displayed on a daisy chain of PN-R903/R703/R603 monitors for the powerful impact of visual repetition.

\* The number of monitors possible in a daisy chain varies depending on the connection method: Up to 25 (for non-HDCP-encoded content) or 4 (for HDCP-encoded content) via DisplayPort; or up to 5 (for HDCP-encoded content) via DVI.

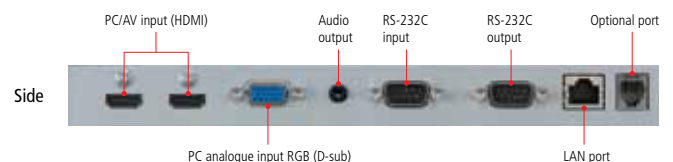
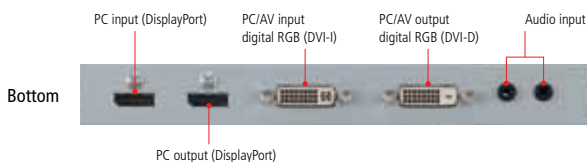
# Specifications

Model Name		PN-R903	PN-R703	PN-R603
<b>Installation</b>		Landscape / Portrait		
		90-inch widescreen (228.7 cm diagonal) UV <sup>2</sup> A LCD	70-inch widescreen (176.6 cm diagonal) UV <sup>2</sup> A LCD	60-inch widescreen (152.5 cm diagonal) UV <sup>2</sup> A LCD
<b>LCD Panel</b>	Max. Resolution	1,920 x 1,080 pixels		
	Max. Display Colours (approx.)	1.06 billion colours		
	Pixel Pitch (H x V)	1.038 x 1.038 mm	0.802 x 0.802 mm	0.692 x 0.692 mm
	Brightness* <sup>1</sup>	700 cd/m <sup>2</sup>		
	Contrast Ratio	1,000,000 : 1 (local dimming set to HIGH) 4,000 : 1 (local dimming OFF)	4,000 : 1	
	Viewing Angle (H/V)	176°/176° (CR <sub>≥10</sub> )		
	Active Screen Area (W x H)	1,993.0 x 1,121.0 mm (78 7/8" x 44 1/8")	1,538.9 x 865.6 mm (60 9/16" x 34 1/16")	1,329.1 x 747.6 mm (52 5/16" x 29 7/16")
	Response Time	6 ms (grey to grey, avg.)		
	Backlight	LED, full array	LED, edge lit	
<b>Computer Input</b>	Video	Analogue RGB (0.7 Vp-p) [75Ω], Digital (conforms to DVI 1.0 standards), DisplayPort 1.1		
	Synchronisation	Horizontal/vertical separation (TTL: positive/negative), Sync on green, Composite sync (TTL: positive/negative)		
	Plug & Play	VESA DDC2B		
	Power Management	VESA DPMS, DVI DMPM		
<b>Video Colour System</b>		NTSC (3.58 MHz, 4.43 MHz), PAL, PAL60, SECAM		
<b>Input Terminals*<sup>2</sup></b>		DisplayPort x 1, DVI-I x 1, Mini D-sub 15-pin x 1, HDMI x 2 (HDCP compatible), RS-232C x 1, 3.5 mm-diameter mini stereo jack x 2		
<b>Output Terminals</b>		DisplayPort x 1 (supports video signals only), DVI-D x 1 (HDCP compatible), RS-232C x 1, 3.5 mm-diameter mini stereo jack x 1		
<b>Input/Output Terminals</b>		LAN x 1		
<b>Built-in Speakers</b>		10 W + 10 W		
<b>Mounting</b>		VESA (4 points), 600 x 600 mm (23 5/8" x 23 5/8") pitch; VESA (4 points), 600 x 400 mm (23 5/8" x 15 3/4") pitch	VESA (6 points), 200 x 200 mm (7 7/8" x 7 7/8") pitch; VESA (4 points), 200 x 200 mm (7 7/8" x 7 7/8") pitch	
<b>Power Supply</b>		100V – 240V AC, 50/60 Hz		
<b>Power Consumption</b>		660 W max (Local Dimming OFF)	270 W	200 W
<b>Environmental Conditions</b>	Operating Temperature	0°C to 40°C		
	Operating Humidity	20% to 80% RH (no condensation)		
<b>Dimensions (W x D x H) (approx.) (display only)</b>		2,055 x 122 x 1,197 mm (80 7/8" x 4 13/16" x 47 1/8")	1,578 x 39.4 x 916 mm (62 1/8" x 1 9/16" x 36 1/16")	1,378 x 39.4 x 794 mm (54 1/4" x 1 9/16" x 31 1/4")
<b>Weight (approx.)</b>		75 kg (165.3 lbs)	43 kg (94.8 lbs)	32 kg (70.5 lbs)

## Dimensions



## Input/Output terminals



# This is Why

www.sharp.eu

**SHARP**

## Notes

\*<sup>1</sup> Brightness depends on input mode and other picture settings. Brightness level will decrease slightly over the lifetime of the product. Due to the physical limitations of the equipment, it is not possible to maintain a precisely constant level of brightness. \*<sup>2</sup> Use a commercially available connection cable for PC and other video connections.

Design and specifications are subject to change without prior notice. All information was correct at time of print. The ENERGY STAR logo is a certification mark and may only be used to certify specific products that have been determined to meet the ENERGY STAR programme requirements. ENERGY STAR is a US registered mark. The ENERGY STAR guidelines apply to products only in the US, Europe, Australia, New Zealand and Japan. © Sharp Corporation March 2013. Ref: PN-R903/PN-R703/PN-R603. All trademarks acknowledged. E&OE.

SHARP ELECTRONICS (EUROPE) GMBH  
VISUAL SOLUTIONS DIVISION  
FREISINGER STR. 9  
85716 UNTERSCHLEISSHEIM  
GERMANY

EMAIL: Europe-visualsolutions@sharp.eu



Sharp PN-R603